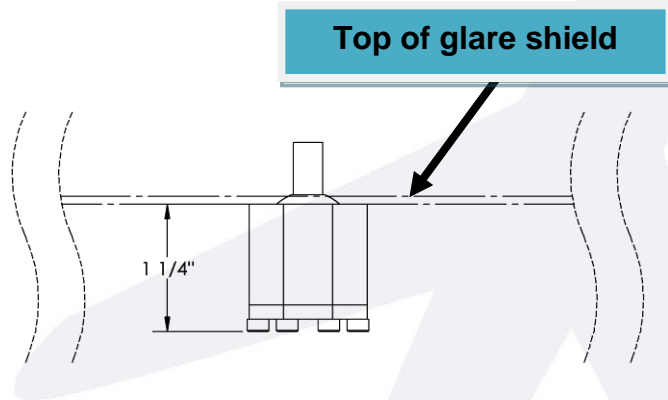
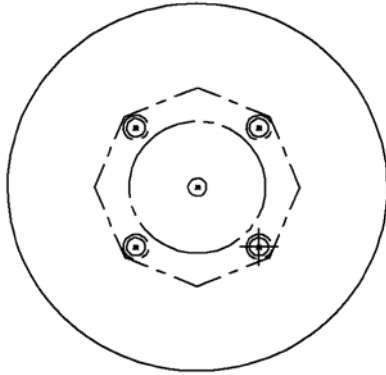


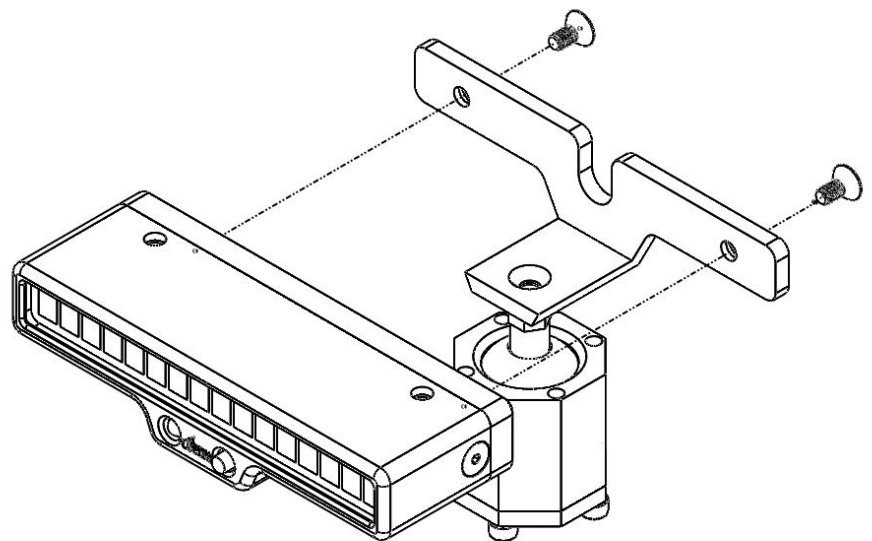
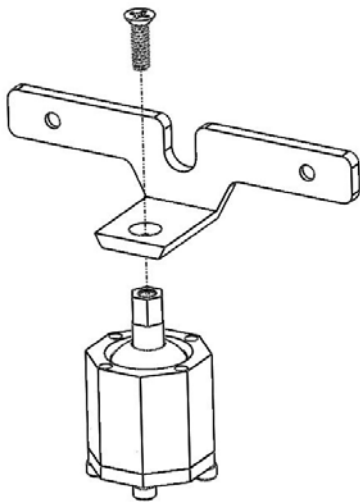
1.18 Display Mounting Kits:

The **Merlin** AOA display can be mounted in the pilot's peripheral vision under the glare shield and can be mounted on top by purchasing either of the 2 optional mounting kits; a solid mount or swivel kit which compensates for curvature of the glare shield and accurate positioning in a horizontal orientation.

Vertical Swivel Mounting Kit

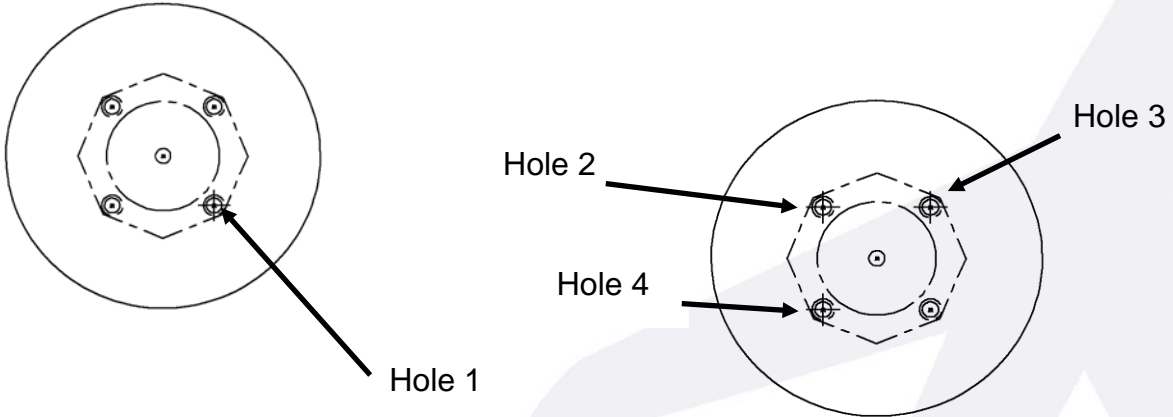


The Merlin display has mounting holes on the back, top and bottom of the case threaded for 6/32 screws



The swivel kit is mounted from under the glare shield and the shaft allows the L bracket to be mounted solidly with the provided screw

The swivel mount drill guide disk is included with the mounting kit. It's used to aid in the drilling of the mounting holes for surface placement.

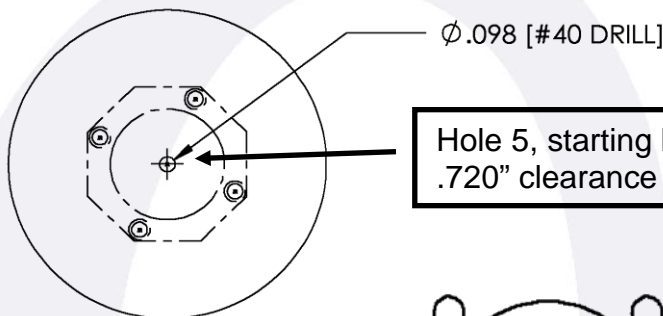


Step 1

Orient drill guide in location where swivel will mount, Using a #40 drill, drill hole, Cleco through hole, spin disk in final location.

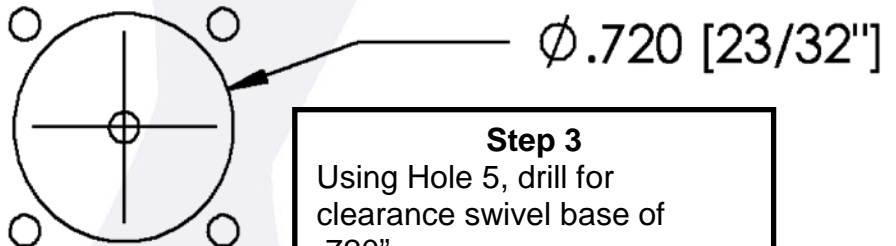
Step 2

When disk is in the final position, drill hole 2, Cleco, drill hole 3, Cleco, drill holes 4 and 5.



Hole 5, starting hole for .720" clearance drill.

4 Mounting holes and center clearance pattern on dash.



Step 3

Using Hole 5, drill for clearance swivel base of .720".

Once the 4 outer holes are located and drilled, re-drill with a # 32 (.116") clearance for the 4-40 mounting screws.

NOT TO SCALE

The Merlin display was designed to be viewed in the pilot's peripheral view without looking down when flying the aircraft. There are 3 mounting options to assist in any aircraft installation.

