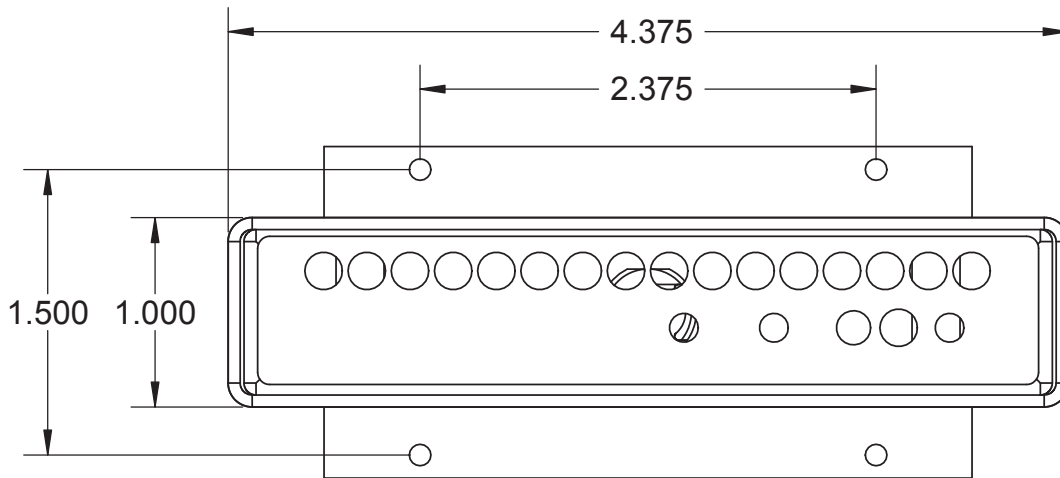
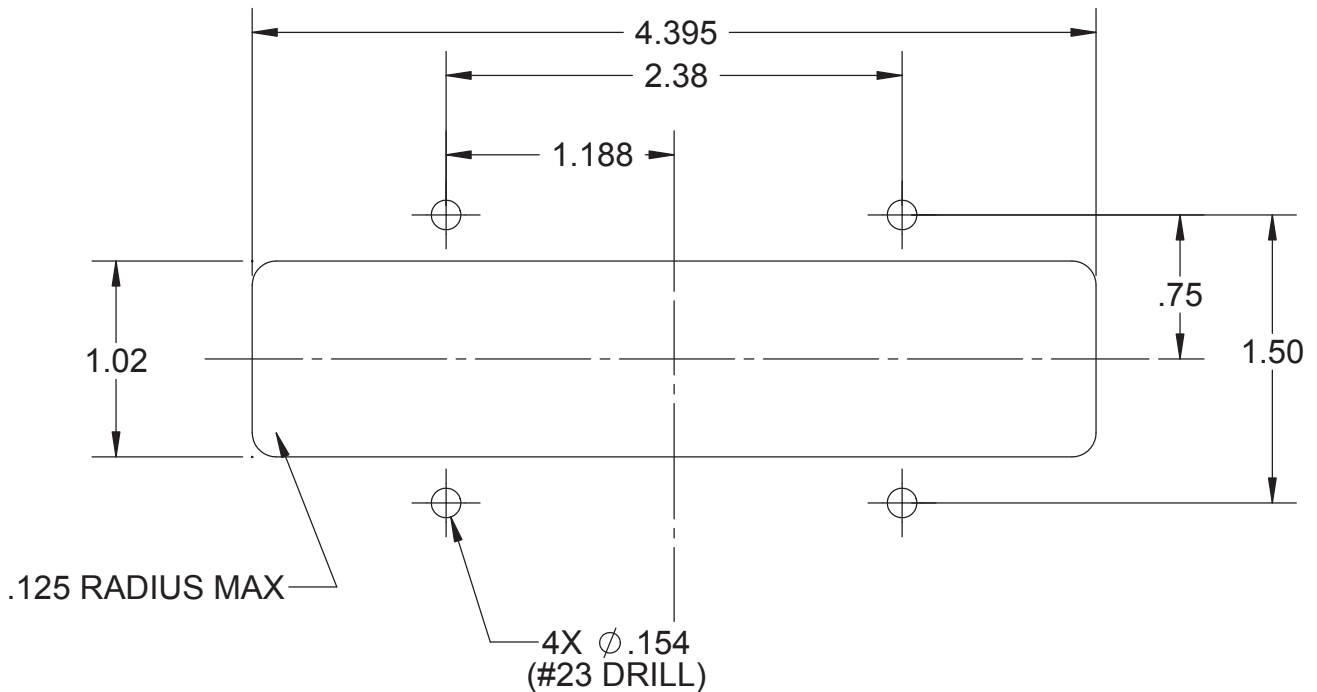


**FLUSH PANEL MOUNTING  
(SHOWN WITH BRACKETS INSTALLED)**



**CUTOUT DIMENSIONS / TEMPLATE**



**PROPRIETARY AND CONFIDENTIAL**  
THE INFORMATION CONTAINED IN THIS DRAWING IS THE SOLE PROPERTY OF DEPOTSTAR. ANY REPRODUCTION IN PART OR AS A WHOLE WITHOUT THE WRITTEN PERMISSION OF DEPOTSTAR IS PROHIBITED.

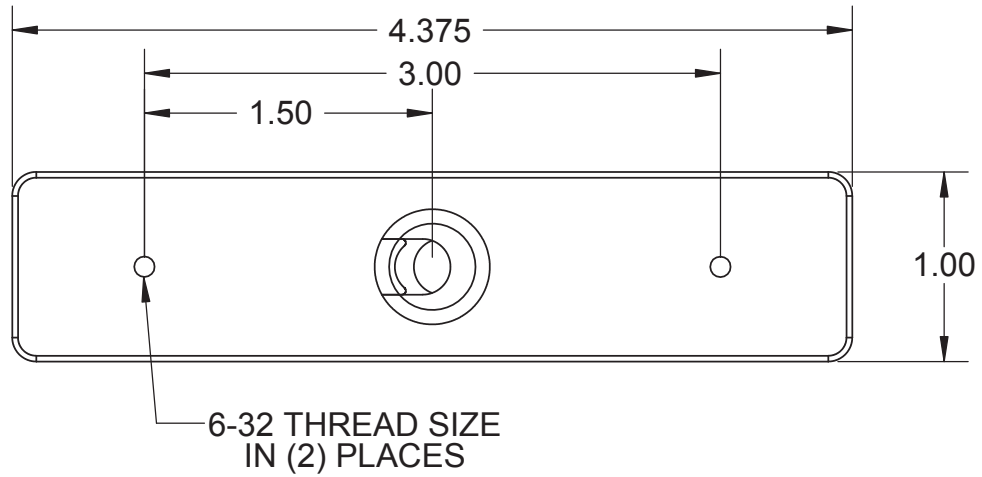
		DIMENSIONS ARE IN INCHES TOLERANCES: FRACTIONAL ± ANGULAR: MACH ± BEND ± TWO PLACE DECIMAL ± THREE PLACE DECIMAL ±		NAME	DATE
				AARON	11/1/10
				CHECKED	*
				ENG APPR.	*
				MFG APPR.	*
				Q.A.	*
			COMMENTS:		
		MATERIAL	N/A		
		FINISH	N/A		
NEXT ASSY	USED ON				
APPLICATION		DO NOT SCALE DRAWING			



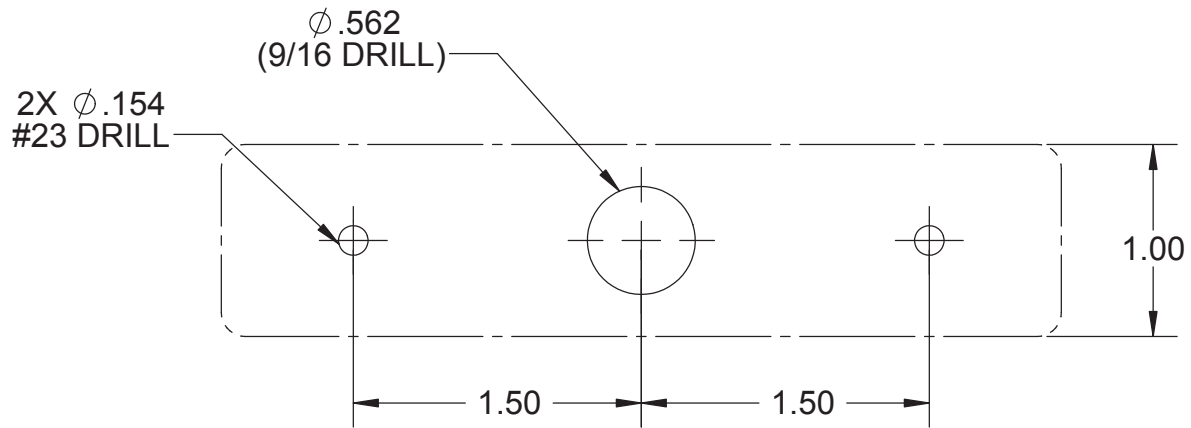
**4-3/8" CLASSIC  
MOUNTING**

SIZE	DWG. NO.	REV.
<b>A</b>	<b>CUTOUT DRAWINGS</b>	<b>A</b>
SCALE: 1:1	SHEET 7 OF 10	

# BACK MOUNTING



# DRILL DIMENSIONS / TEMPLATE



**PROPRIETARY AND CONFIDENTIAL**  
 THE INFORMATION CONTAINED IN THIS DRAWING IS THE SOLE PROPERTY OF DEPOTSTAR. ANY REPRODUCTION IN PART OR AS A WHOLE WITHOUT THE WRITTEN PERMISSION OF DEPOTSTAR IS PROHIBITED.

		DIMENSIONS ARE IN INCHES TOLERANCES: FRACTIONAL ± ANGULAR: MACH ± BEND ± TWO PLACE DECIMAL ± THREE PLACE DECIMAL ±
		MATERIAL N/A
NEXT ASSY	USED ON	FINISH N/A
APPLICATION		DO NOT SCALE DRAWING

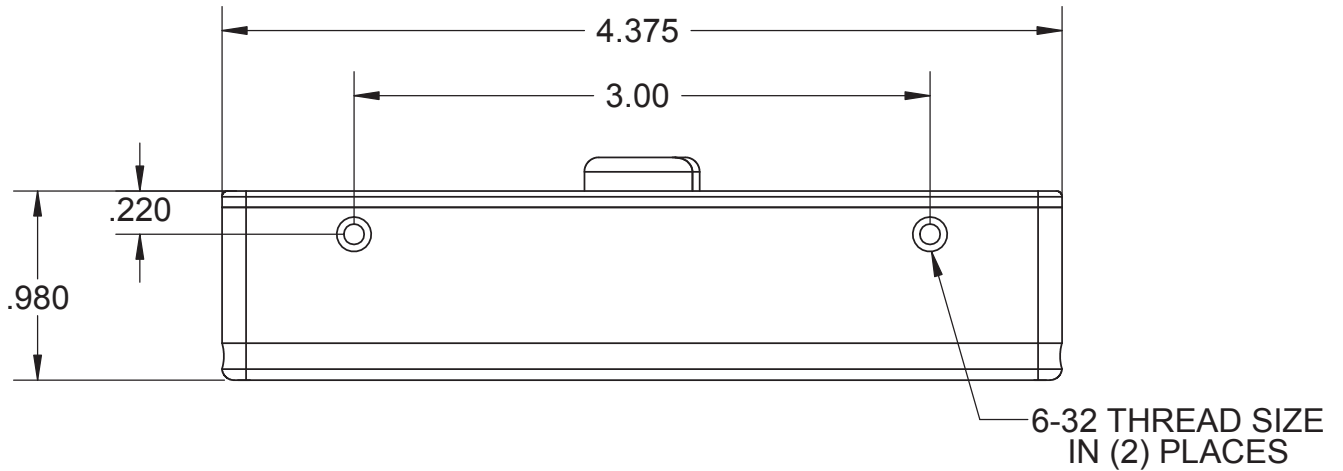
	NAME	DATE
DRAWN	AARON	11/1/10
CHECKED	*	*
ENG APPR.	*	*
MFG APPR.	*	*
Q.A.	*	*
COMMENTS:		



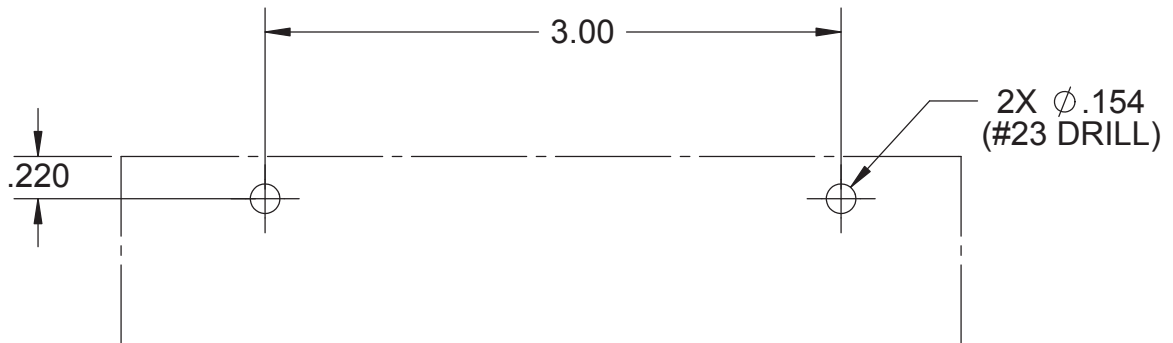
# 4-3/8" CLASSIC MOUNTING

SIZE <b>A</b>	DWG. NO. CUTOUT DRAWINGS	REV. <b>A</b>
SCALE: 1:1	SHEET 8 OF 10	

## HORIZONTAL TOP / BOTTOM MOUNTING



## DRILL DIMENSIONS / TEMPLATE



**PROPRIETARY AND CONFIDENTIAL**  
THE INFORMATION CONTAINED IN THIS DRAWING IS THE SOLE PROPERTY OF DEPOTSTAR. ANY REPRODUCTION IN PART OR AS A WHOLE WITHOUT THE WRITTEN PERMISSION OF DEPOTSTAR IS PROHIBITED.

		DIMENSIONS ARE IN INCHES TOLERANCES: FRACTIONAL $\pm$ ANGULAR: MACH $\pm$ BEND $\pm$ TWO PLACE DECIMAL $\pm$ THREE PLACE DECIMAL $\pm$		NAME	DATE
			DRAWN	AARON	11/1/10
			CHECKED	*	*
			ENG APPR.	*	*
			MFG APPR.	*	*
			Q.A.	*	*
		MATERIAL	COMMENTS:		
		N/A			
NEXT ASSY	USED ON	FINISH			
		N/A			
APPLICATION		DO NOT SCALE DRAWING			



# 4-3/8" CLASSIC MOUNTING

SIZE	DWG. NO.	REV.
<b>A</b>	CUTOUT DRAWINGS	<b>A</b>
SCALE: 1:1	SHEET 9 OF 10	