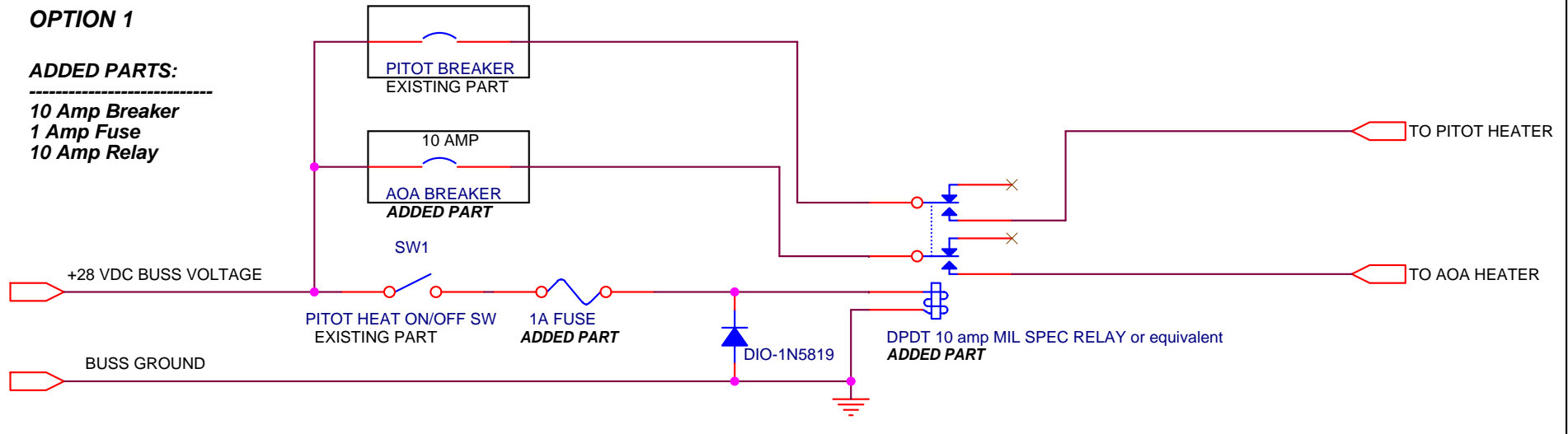


## Suggested Breaker/Relay Connections for PITOT/AOA Heaters

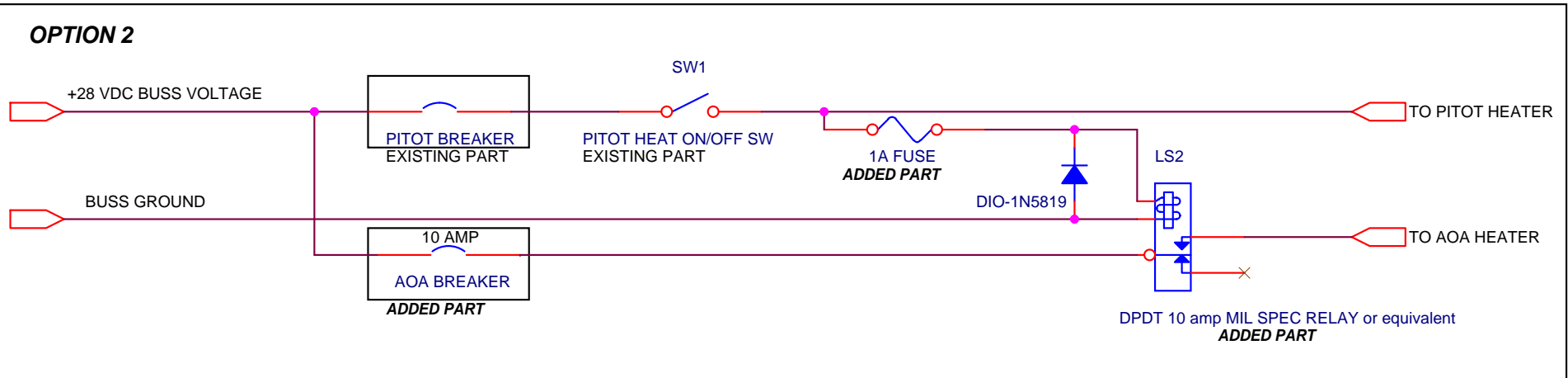
### OPTION 1

**ADDED PARTS:**

- 10 Amp Breaker
- 1 Amp Fuse
- 10 Amp Relay



### OPTION 2



**ADDED PARTS:**

- 10 Amp Breaker
- 1 Amp Fuse
- 10 Amp Relay

**Notes:**

- 1) +28 VDC Buss Voltage Shown, same for +12 VDC Buss Voltage Power
- 2) Relay circuit to turn on both Pitot and AOA Heat
- 3) Choose Fuses to fit Aircraft Panel

THIS PRINT AND ALL INFORMATION THEREON IS THE PROPERTY OF DEPOTSTAR



Title		
Suggested Breaker/Relay Connections for PITOT/AOA Heaters		
Size	Document Number	Rev
		A
Date: Wednesday, September 21, 2016		Sheet 1 of 1