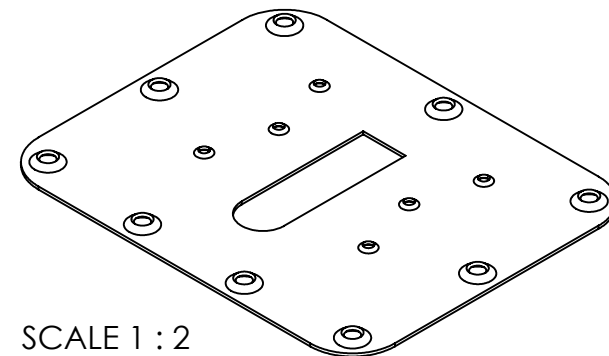
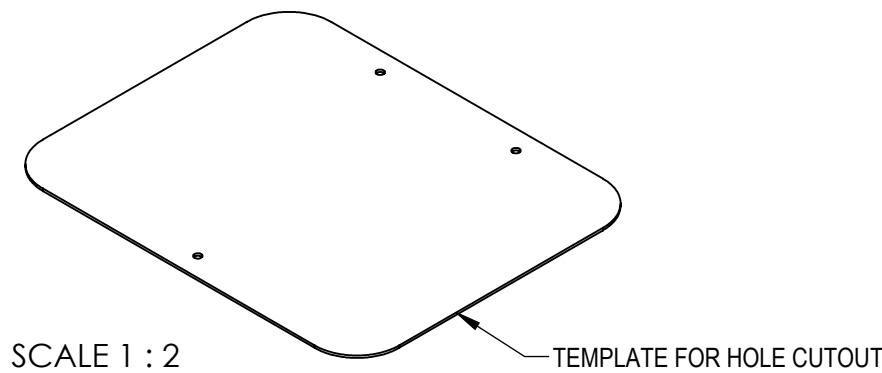
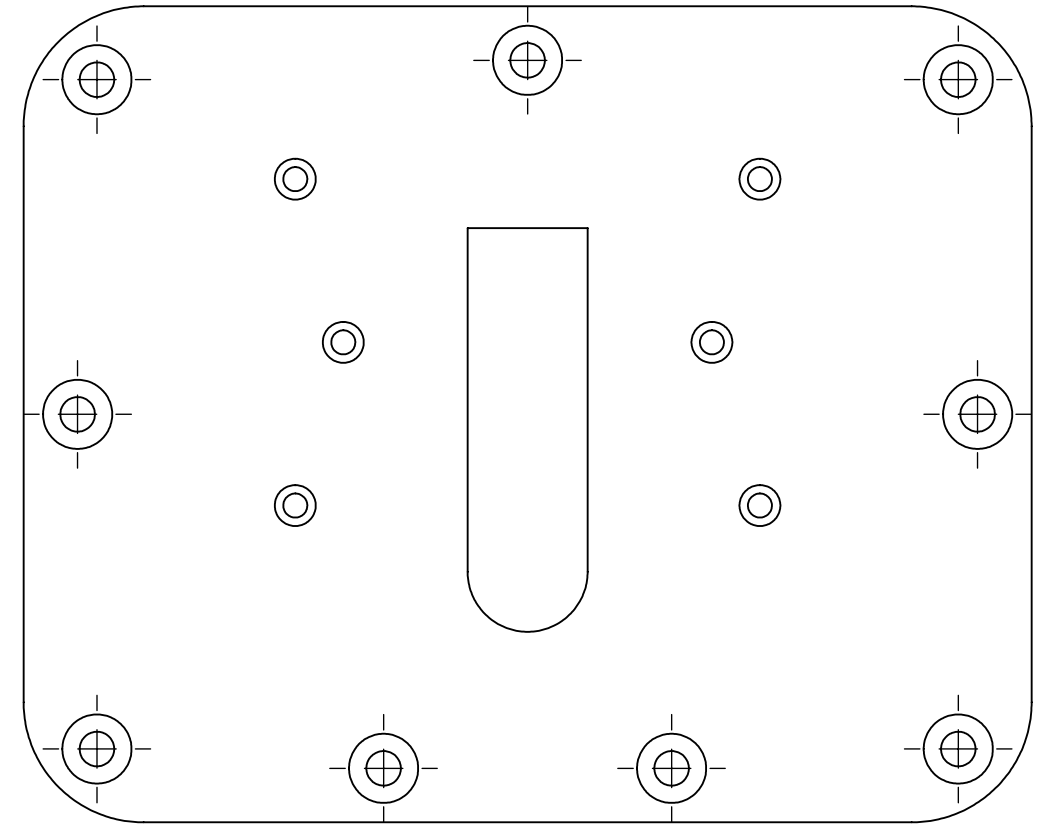
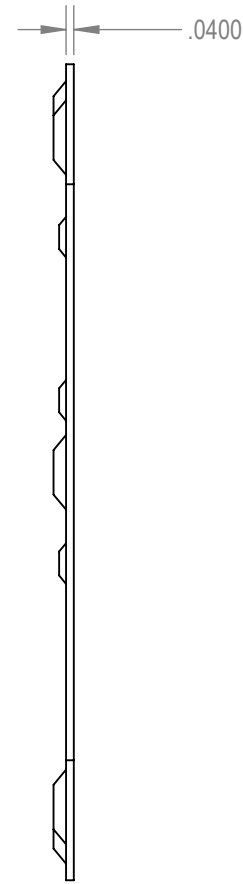
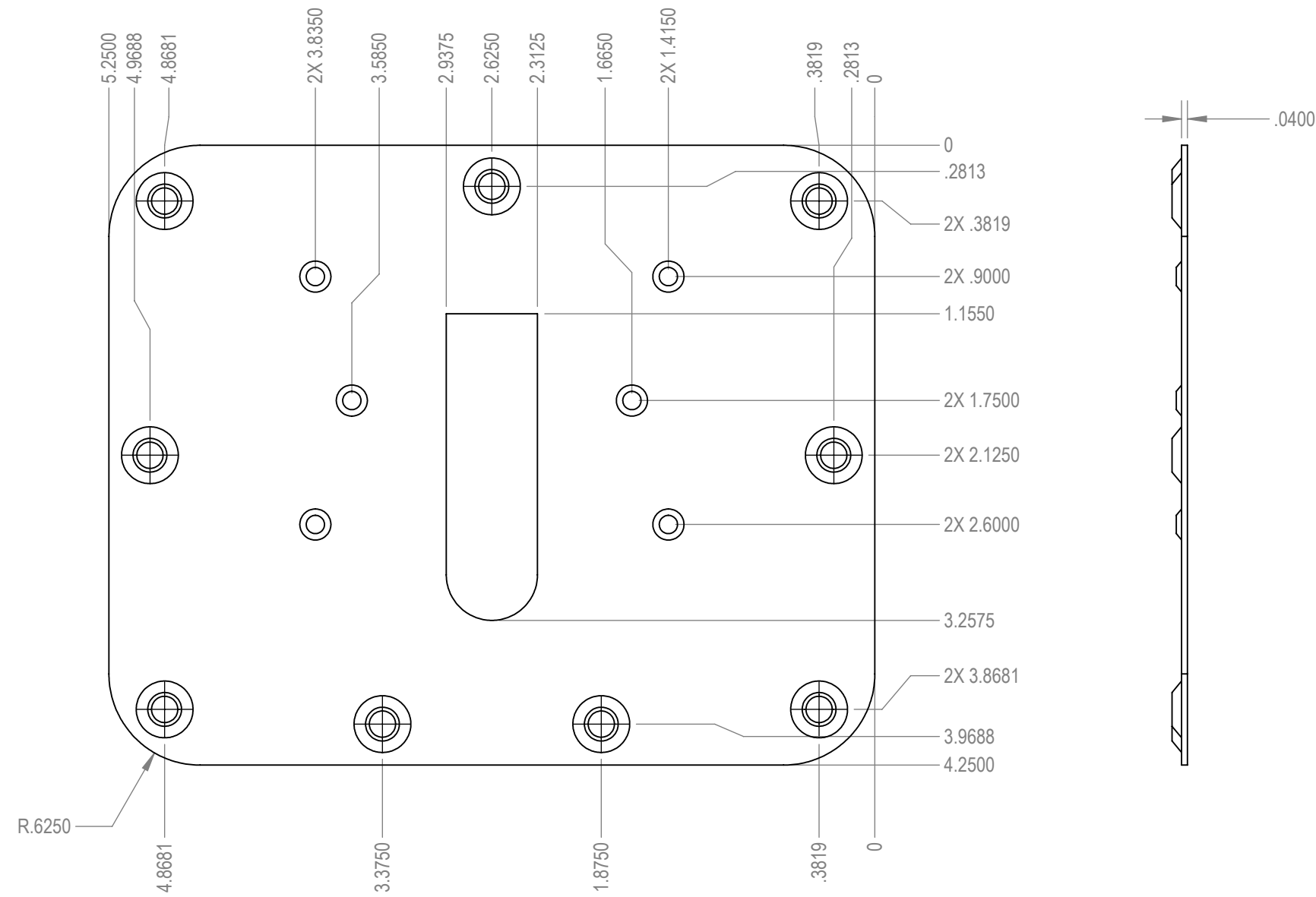


REV.	DESCRIPTION	DATE	DRAWN
A	INITIAL RELEASE	3/4/2015	CAP



UNLESS OTHERWISE SPECIFIED: UNITS ARE IN INCHES AND TOLERANCES ON DIMENSIONS ARE IN INCHES  .X = ±.03 .XX = ±.01 .XXX = ±.005 DEG. = ±1° DEG. = ±1° X/X = ± 1/16	DRAWN: CAP	PROJECT: AOA DOUBLER MOUNTING KIT
	DATE: 3/4/2015	TITLE:
	SHEET: 1	AOA-4201-RAW (DOUBLER PROBE PLATE)
	SCALE: 1:1	
	SIZE: B	
<b>PROPRIETARY AND CONFIDENTIAL</b> THE INFORMATION CONTAINED IN THIS DRAWING IS THE SOLE PROPERTY OF DEPOTSTAR. ANY REPRODUCTION IN PART OR AS A WHOLE WITHOUT THE WRITTEN PERMISSION OF DEPOTSTAR IS PROHIBITED.	QUANTITY: 1 PER KIT	PART #
	MATERIAL: 2024-T3	AOA-4201-RAW (Doubler Probe Mounting Plate)

A

5 4 3 2 1