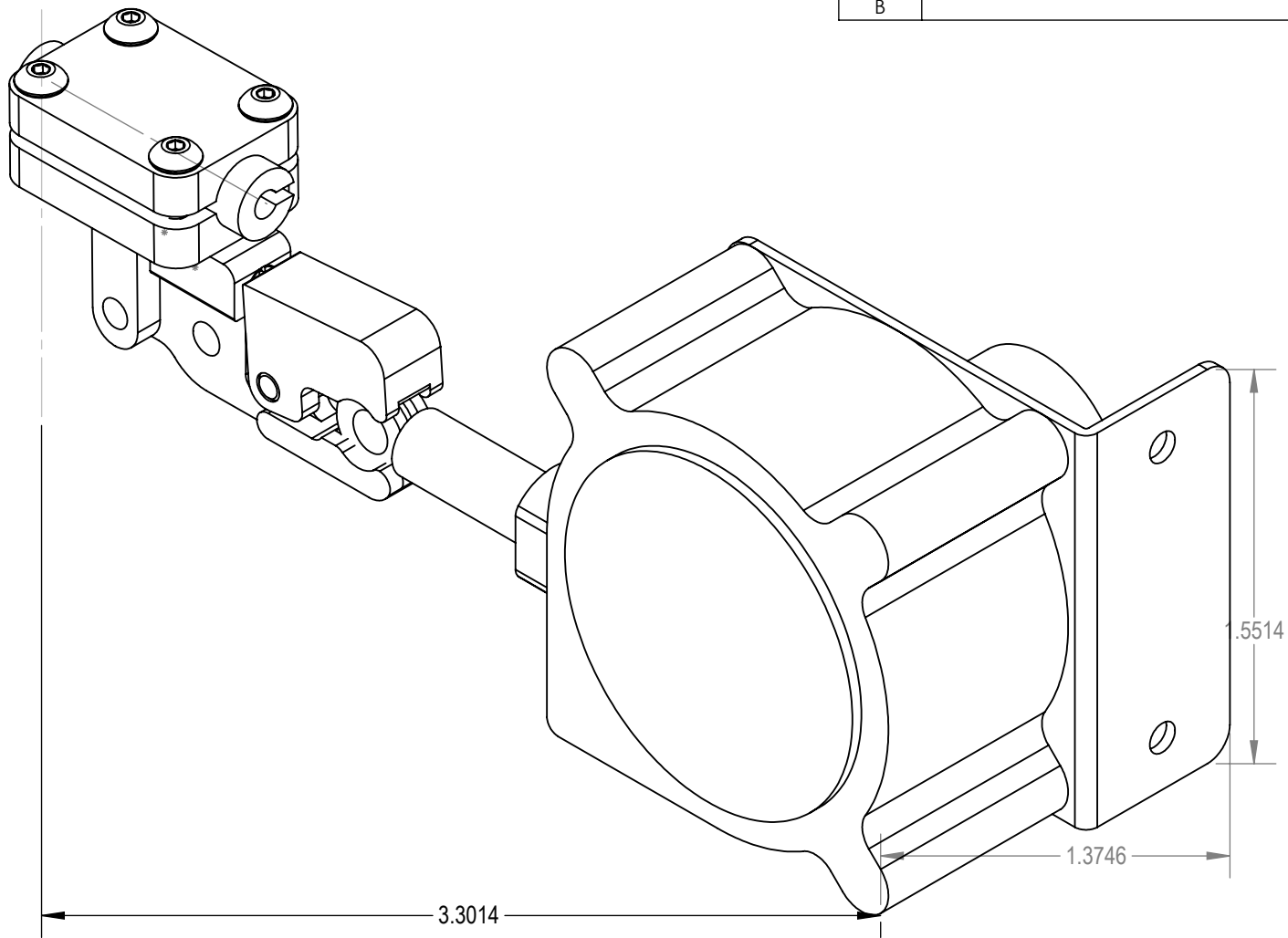


REV.	DESCRIPTION	DATE	DRAWN
A		4/25/2018	RC
B		6/25/2018	BJS



UNLESS OTHERWISE SPECIFIED:  
 UNITS ARE IN INCHES AND  
 TOLERANCES ON DIMENSIONS  
 ARE IN INCHES

- .X = ±.03
- .XX = ±.01
- .XXX = ±.005
- DEG. = ±1°
- X/X = ± 1/16

**PROPRIETARY AND CONFIDENTIAL**

THE INFORMATION CONTAINED IN THIS  
 DRAWING IS THE SOLE PROPERTY OF  
 DEPOTSTAR. ANY REPRODUCTION IN  
 PART OR AS A WHOLE WITHOUT THE  
 WRITTEN PERMISSION OF DEPOTSTAR IS  
 PROHIBITED.

DRAWN:	BJS	PROJECT:	FLAP TRANSMITTER
DATE:	1/8/2019	TITLE:	Flap Transmitter (Cable Clamp)
SHEET:	1		
SCALE:	1:1		
SIZE:	A		
QUANTITY:		PART #	DSTR-AOA-1996-A
MATERIAL:		REV:	B

FILE PATH: P:\Operations\DepotStar\Alpha Systems AOA\Engineering\_2013\_Production\Flap Transmitter\