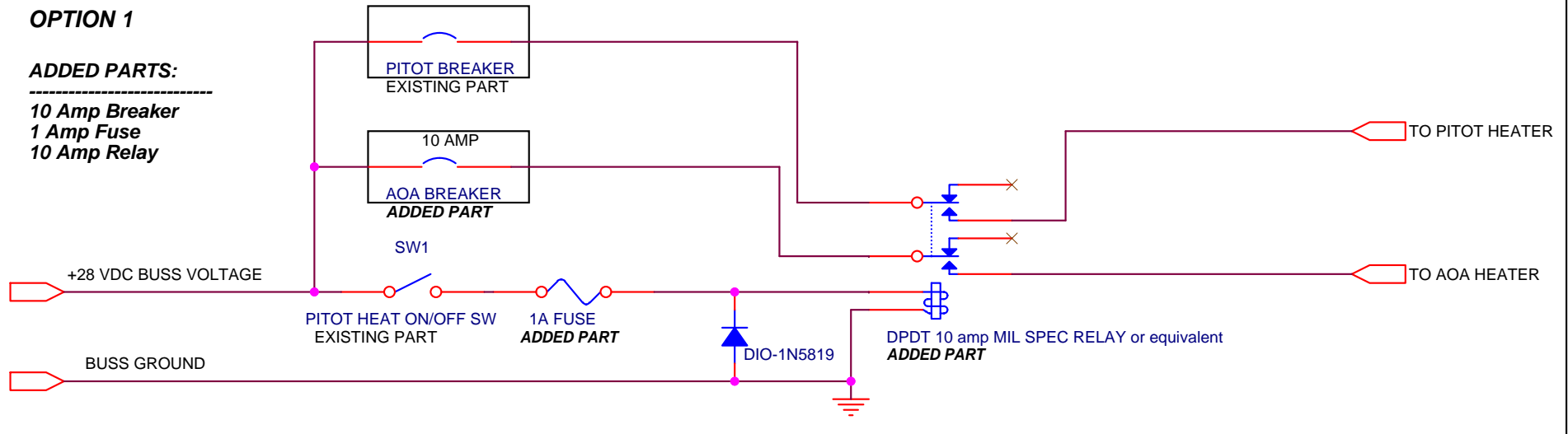


Suggested Breaker/Relay Connections for PITOT/AOA Heaters

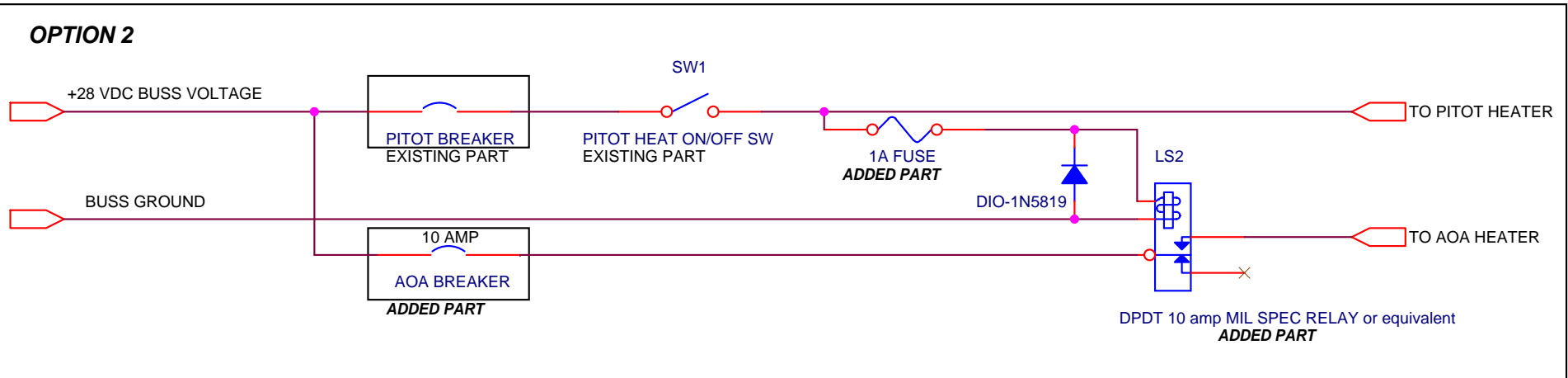
OPTION 1

ADDED PARTS:

- 10 Amp Breaker
- 1 Amp Fuse
- 10 Amp Relay



OPTION 2



ADDED PARTS:

- 10 Amp Breaker
- 1 Amp Fuse
- 10 Amp Relay

Notes:

- 1) +28 VDC Buss Voltage Shown, same for +12 VDC Buss Voltage Power
- 2) Relay circuit to turn on both Pitot and AOA Heat
- 3) Choose Fuses to fit Aircraft Panel

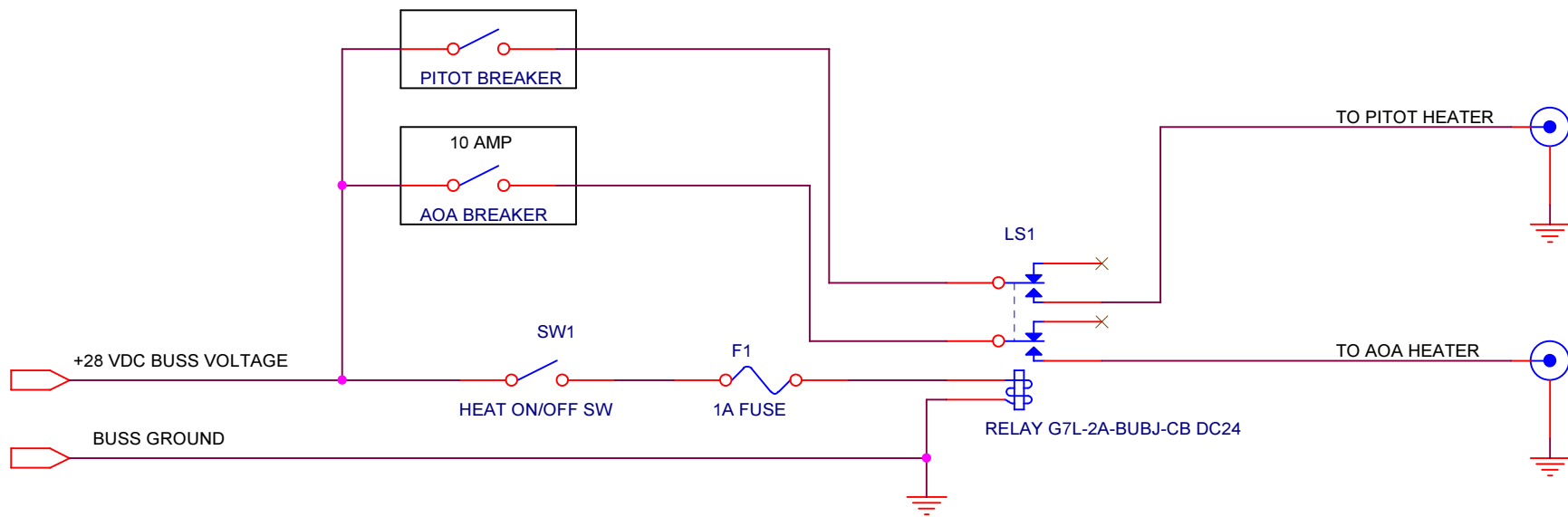
THIS PRINT AND ALL INFORMATION THEREON IS THE PROPERTY OF DEPOTSTAR



Title Suggested Breaker/Relay Connections for PITOT/AOA Heaters

Size Document Number Rev A

Date: Wednesday, September 21, 2016 Sheet 1 of 1



Notes:

- 1) +28 VDC Buss Voltage Shown, same for +12 VDC Buss Voltage Power
- 2) Relay circuit to turn on both Pitot and AOA Heat
- 3) Choose Fuses to fit Aircraft Panel

THIS PRINT AND ALL INFORMATION THEREON IS THE PROPERTY OF DEPOTSTAR INC. AND MAY NOT BE USED, COPIED, OR DISCLOSED TO OTHERS WITHOUT PERMISSION.

SIZE: C	DATE: 09-04-2012
JOB NO:	PROJ. NO.
DRAWN BY:	
SHEET 1 OF 1	



TITLE: Suggested Breaker/Relay Connection for PITOT/AOA Heaters

DOCUMENT NAME: REV: B