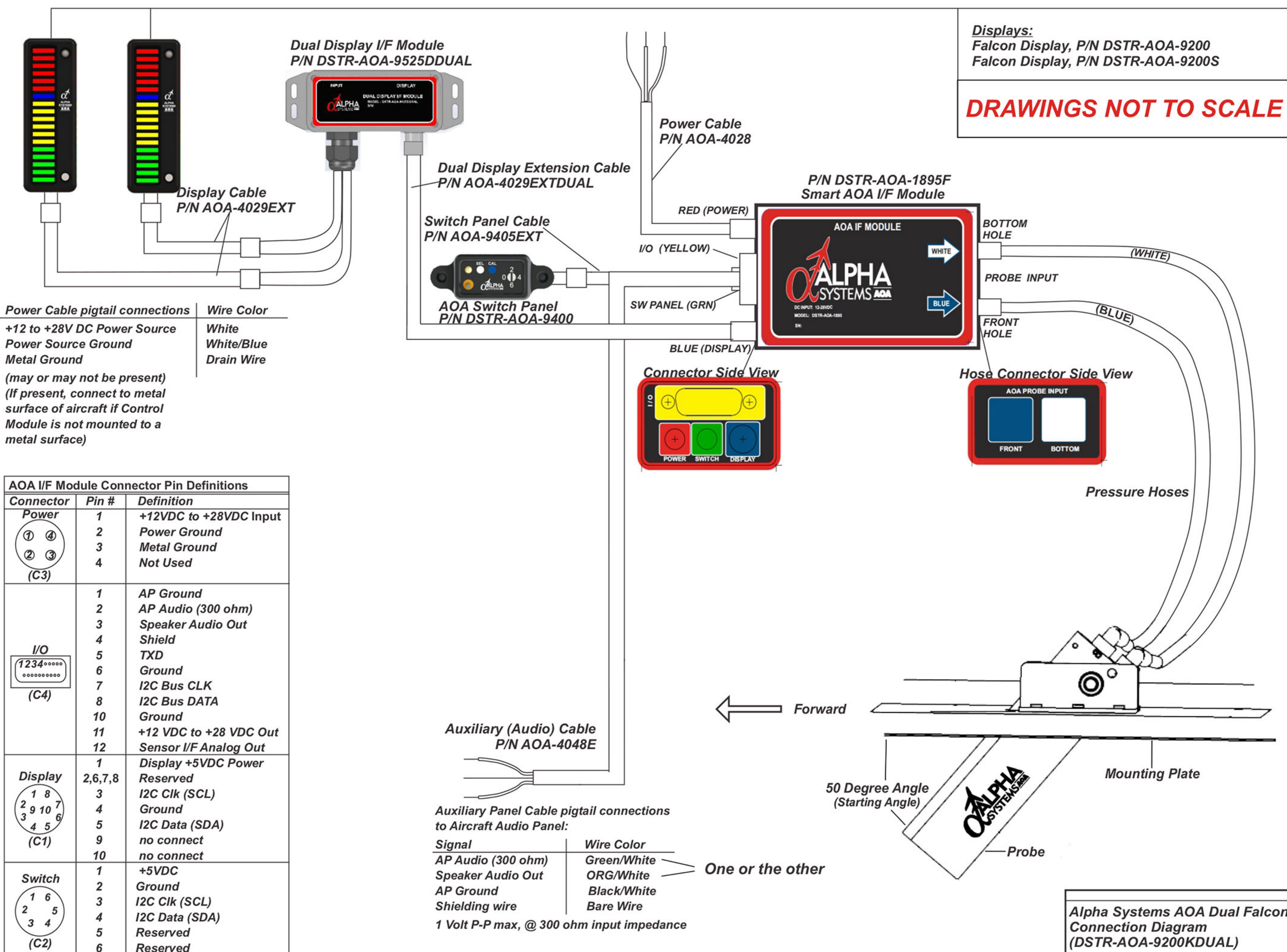


- Red** - I/F Module Power Cable
- Green** - Switch Panel Extension Cable
- Yellow** - Sensor IM + Audio Interior Cable
- Blue** - Dual Display I/F Module Extension Cable

Alpha Systems AOA Falcon Dual Above Dash HUD System Diagram DSTR-AOA-9200KDUAL-(ADH)

**Displays:**  
 Falcon Display, P/N DSTR-AOA-9200  
 Falcon Display, P/N DSTR-AOA-9200S

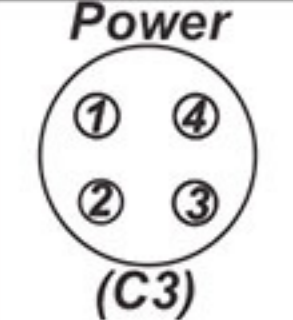
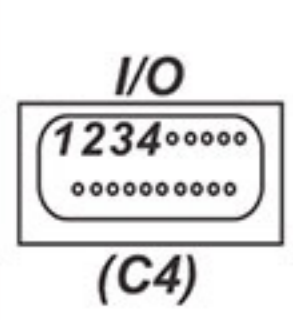
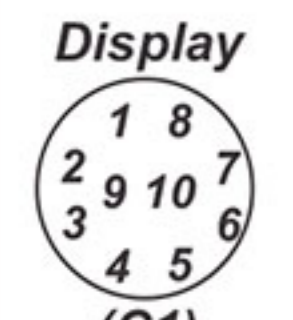
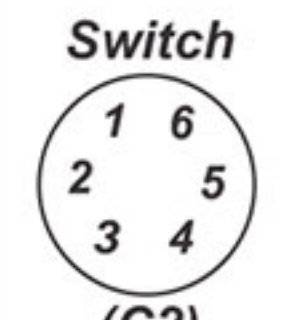
**DRAWINGS NOT TO SCALE**



**Power Cable pigtail connections**

Wire Color
White
White/Blue
Drain Wire

+12 to +28V DC Power Source  
 Power Source Ground  
 Metal Ground  
 (may or may not be present)  
 (If present, connect to metal surface of aircraft if Control Module is not mounted to a metal surface)

AOA I/F Module Connector Pin Definitions			
Connector	Pin #	Definition	
 (C3)	1	+12VDC to +28VDC Input	
	2	Power Ground	
	3	Metal Ground	
	4	Not Used	
 (C4)	1	AP Ground	
	2	AP Audio (300 ohm)	
	3	Speaker Audio Out	
	4	Shield	
	5	TXD	
	6	Ground	
	7	I2C Bus CLK	
	8	I2C Bus DATA	
	10	Ground	
	11	+12 VDC to +28 VDC Out	
	12	Sensor I/F Analog Out	
	 (C1)	1	Display +5VDC Power
2,6,7,8		Reserved	
3		I2C Clk (SCL)	
4		Ground	
5		I2C Data (SDA)	
9		no connect	
10		no connect	
 (C2)		1	+5VDC
		2	Ground
		3	I2C Clk (SCL)
	4	I2C Data (SDA)	
	5	Reserved	
	6	Reserved	

**Auxiliary (Audio) Cable P/N AOA-4048E**

**Auxiliary Panel Cable pigtail connections to Aircraft Audio Panel:**

Signal	Wire Color
AP Audio (300 ohm)	Green/White
Speaker Audio Out	ORG/White
AP Ground	Black/White
Shielding wire	Bare Wire

1 Volt P-P max, @ 300 ohm input impedance

One or the other